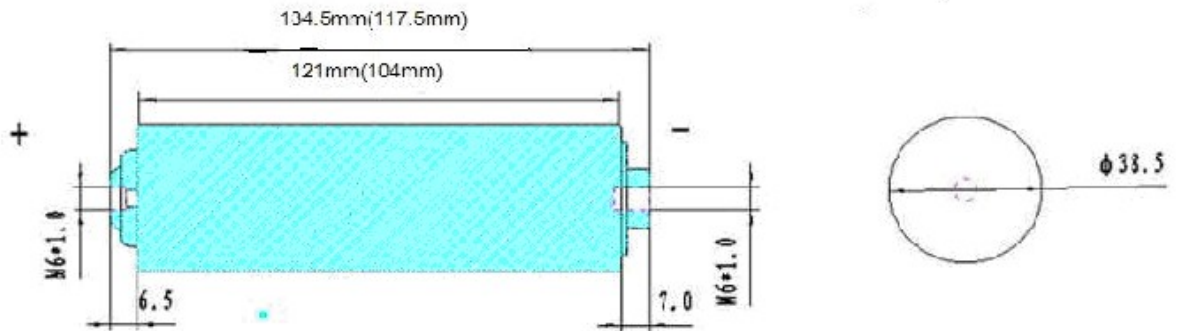


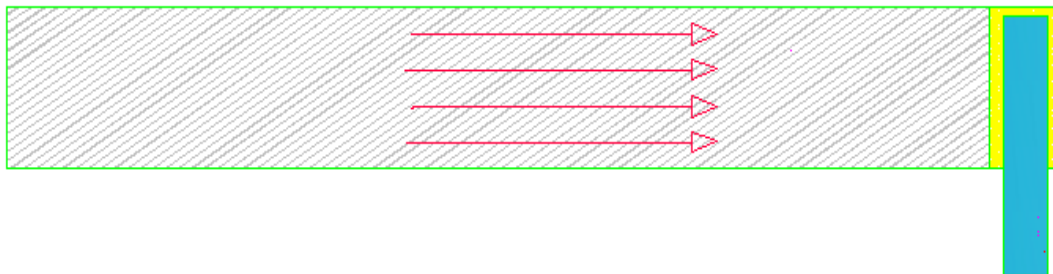
HeadWay LiFePO4 38120(38105) Specifications

Drawing



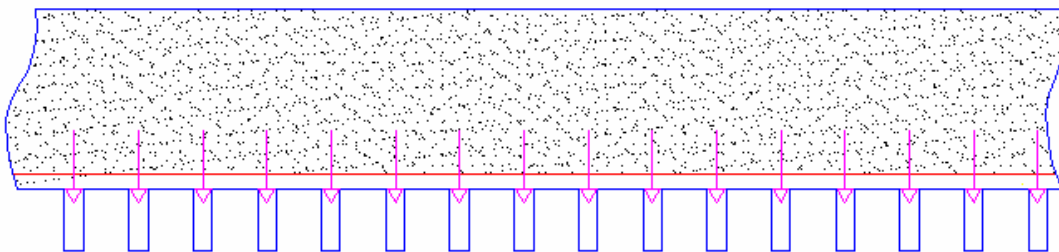
Technical comparing

1. traditional small cylindrical cell technical



The current was collected lengthways

2. patent technic



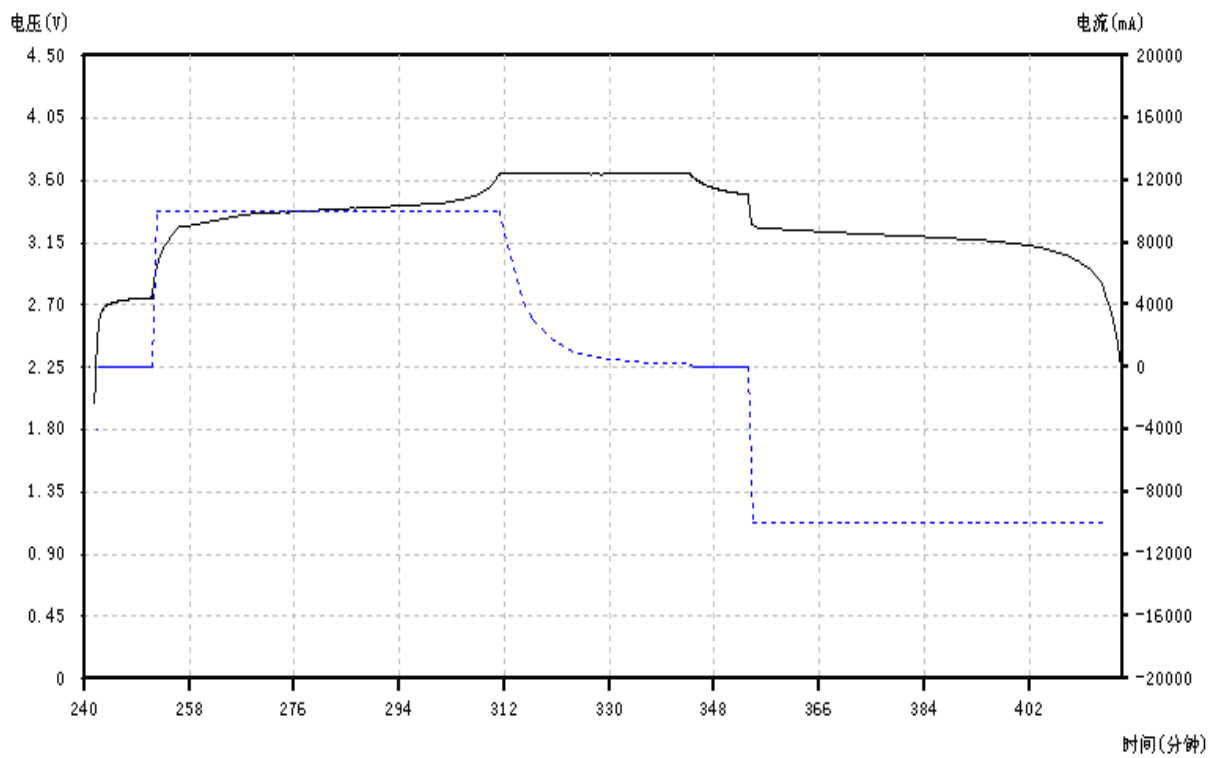
The current was collect lateral

General Specifications

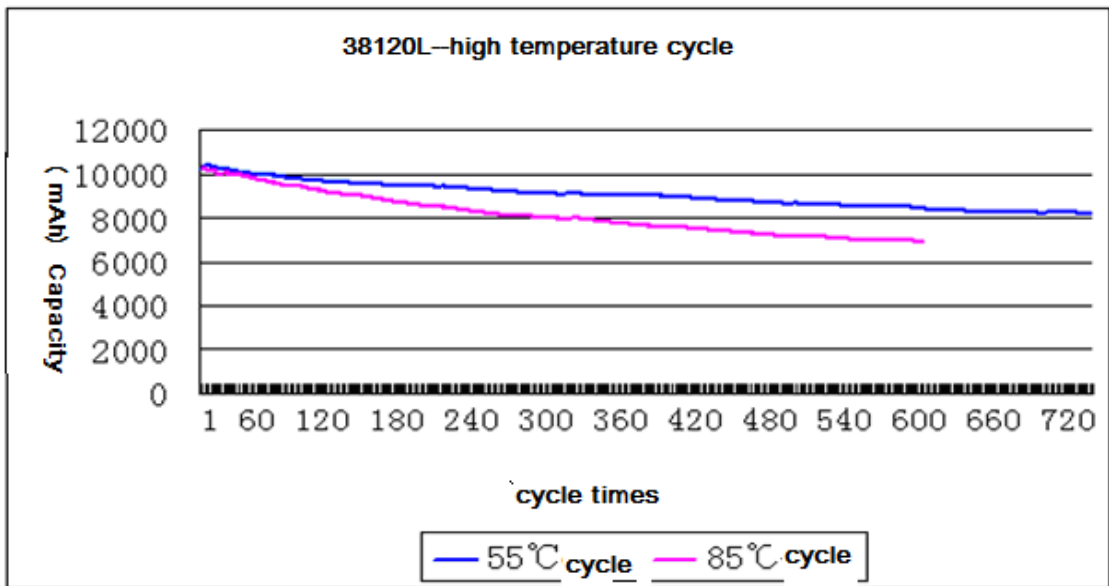
| Type | 38120 | 38120P | 38105 | 38105P |
|-----------------------------------------|-------------------------------------|-----------|----------------------|----------|
| Nominal capacity | 10Ah | 8Ah | 8AH | 6AH |
| Charging Voltage | 3.65V | | 3.65V | |
| Typical Voltage | 3.2V | | 3.2V | |
| Cut-off Discharge Voltage | 2.0V | | 2.0V | |
| Charging Method | CC/CV | | CC/CV | |
| Maximum Discharge Current (continuable) | 100A | 160A | 80A | 150A |
| Maximum Charge Current (continuable) | 50A | 80A | 40A | 60A |
| Cycle Life | 1500cycles 1C 100%DOD | | 2000cycles 1C 80%DOD | |
| Operation Temperature | Charge -10~45°C, Discharge -20~65°C | | | |
| Storage Temperature | -20~45°C | | | |
| Energy Density | 105Wh/Kg | 83 Wh/Kg | 102Wh/Kg | 82Wh/Kg |
| Power Density | 850W/Kg | 1200 W/Kg | 830W/Kg | 1200W/Kg |
| Initial Internal Impedance | <6mΩ | <4mΩ | <6mΩ | <4mΩ |

Performance Charts

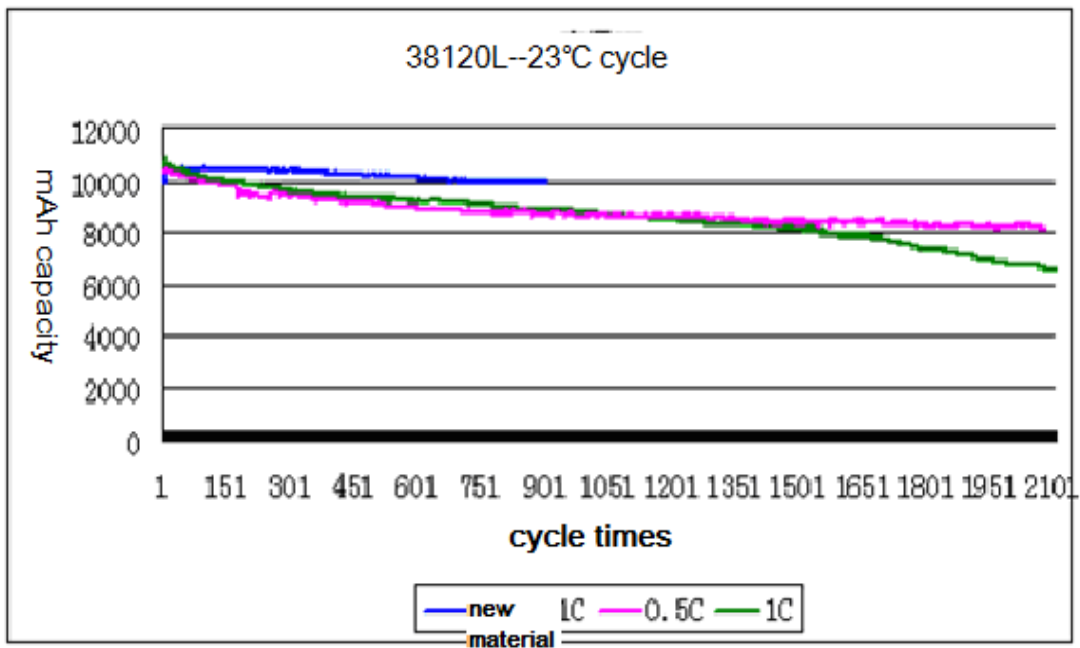
38120S 10AH 1C Charge and Discharge Curve



38120S cycle life curve (high temperature)



38120S cycle life curve (nominal temperature)



The superior function of ratio discharge (capacity)

