



Industrial &amp; Electrical Components

## Latching Relay

Part No.

NRL709F



- 120A switching capability.
- Low coil consumption and ultra-low temperature rise.
- Low contact resistance.
- High resistance to shocks and vibrations.
- Outline dimensions: 66.0x43.0x25.0mm;

## CONTACT DATA

Contact Form	1A/1B
Contact Material	AgSnO <sub>2</sub>
Contact Resistance	Max.: 1.5 mΩ
Contact Rating (Resistive)	120A 250VAC
Max. Switching Power	30000VA
Max. Switching Voltage	250VAC
Max. Switching Current	120A
Mechanical Life	5×10 <sup>5</sup>
Electrical Life	5×10 <sup>3</sup>

## GENERAL DATA

Operate Time	30msec. Max.	
Break Time	30msec. Max.	
Shock Resistance	Functional	10G (100m/S <sup>2</sup> )
	Destructive	100G (1000m/S <sup>2</sup> )
Vibration resistance	10~55Hz 1.5mm	
Humidity	98%RH ,40℃	
Ambient temperature	-40~+70℃	
Termination	PCB	
Unit weight	Approx.180g	
Construction	Dust protected	

## ORDERING INFORMATION

NRL 709F - 12 S

①      ②      ③      ④

## COIL DATA

Coil Power	Single Coil: 1.8W		
	Double Coil: 3.6W		
Pulse Duration	60ms		
Action time	< 30ms		
Nominal Voltage (VDC)	Operate Voltage U1-U2 (VDC)	Coil Resistance (Ω ±10%)	
		Single Winding	Double Winding
9	7.2 - 11.7	45	22.5
12	9.6 - 15.6	80	40
24	19.2 - 31.2	320	160
48	38.4 - 62.4	1280	640

## INSULATION

Insulation Resistance		1000MΩ(500VDC)
Dielectric Strength	Coil & Contacts	4000VAC 1 min.
	Open Contacts	1800VAC 1 min
Creepage & clearance distance		10mm

① Series: Latching Relay

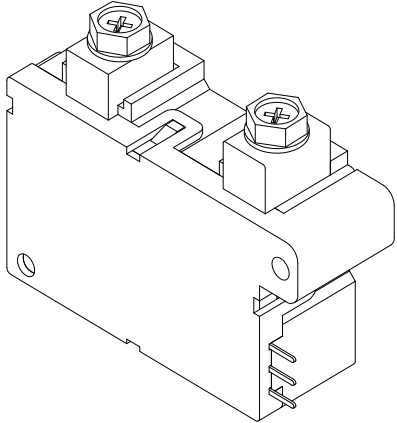
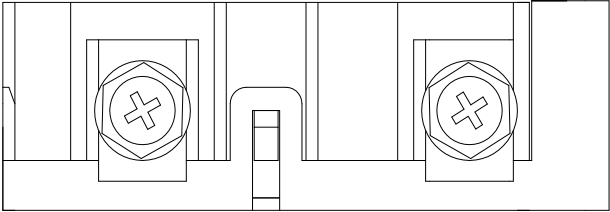
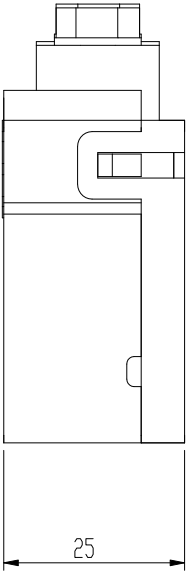
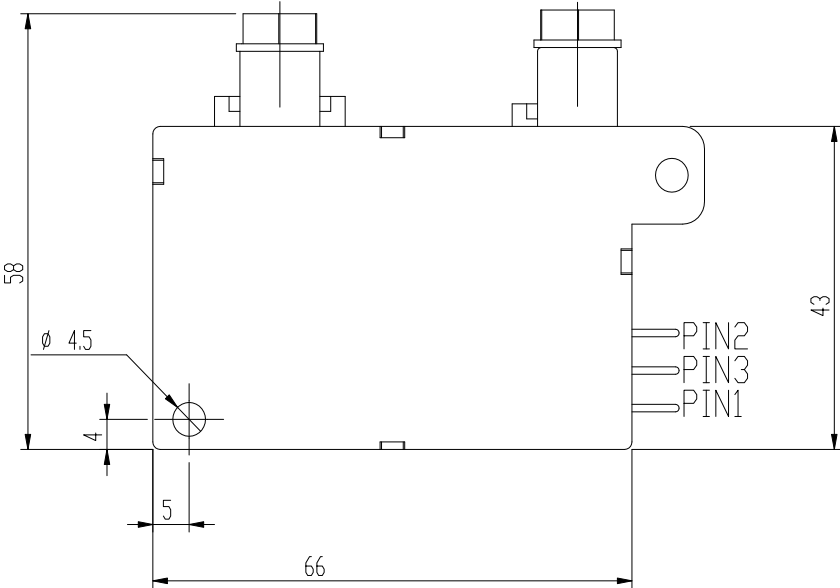
② Part No.

③ Coil voltage: 12=12VDC, 24D=24VDC

④ Winding: S=Single coil; D=Double coil

**DIMENSIONS**

Unit: mm



**DIAGRAM SCHEMATIC**

